



I-8058W

8-channel 80-250VAC Isolated Digital Input Module

Features

- 8-Channel AC Digital Input
- Photocouple Isolation
- 5000 Vrms Intra-module Isolation
- Each digital channel has its own status LED
- 4 kV ESD Protection
- Wide Operating Temperature Range: -25 ~ +75 °C



Introduction

The I-8058W is an 8-channel AC/DC Digital Input module with high voltage isolation. The ON voltage level for the module range can be between 80 ~ 250 VAC/VDC. The I-8058W include 8 LED indicators that can be used monitor DI channel status. 4 kV ESD protection and 5000 VDC intra-module isolation are standard.

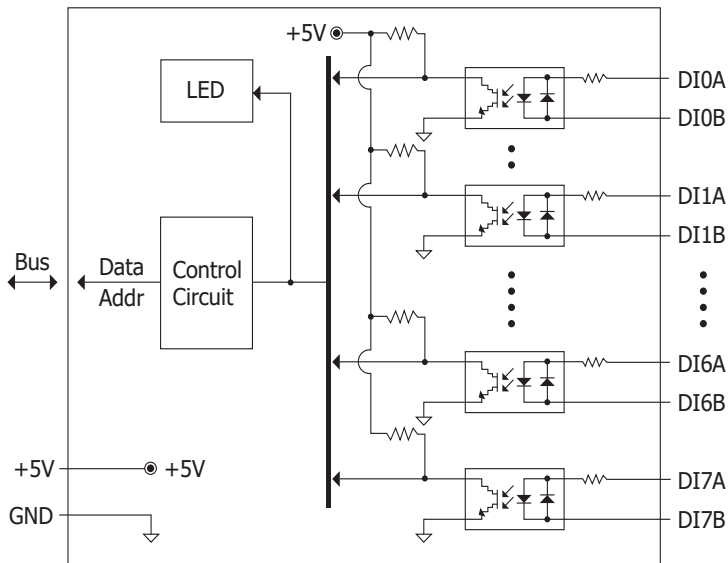
System Specifications

LED Indicators	
System LED Indicator	1 LED as Power Indicator
I/O LED Indicator	8 LEDs as I/O Status Indicator
Isolation	
Intra-module Isolation, Field-to-Logic	5000 Vrms
EMS Protection	
ESD (IEC 61000-4-2)	±4 kV Contact for each Terminal
Power	
Consumption	0.6 W Max
Mechanical	
Dimensions (W x L x H)	30 mm x 102 mm x 115 mm
Environment	
Operating Temperature	-25 ~ +75 °C
Storage Temperature	-30 ~ +85 °C
Humidity	5 ~ 95 % RH, Non-condensing

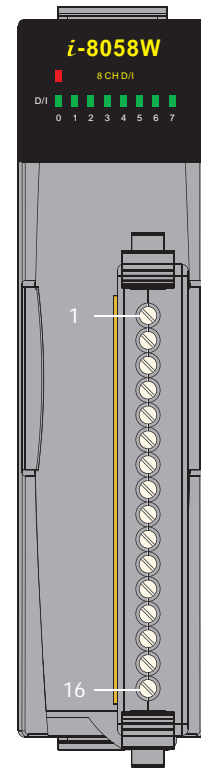
I/O Specifications

Digital Input	
Channels	8, AC, Differential
Type	Wet Contact
ON Voltage Level	80 ~ 250 VAC
OFF Voltage Level	30 VAC Max.
AC Frequency	50 ~ 400Hz
Input Impedance	68 kΩ, 1 W

Internal I/O Structure



Pin Assignments

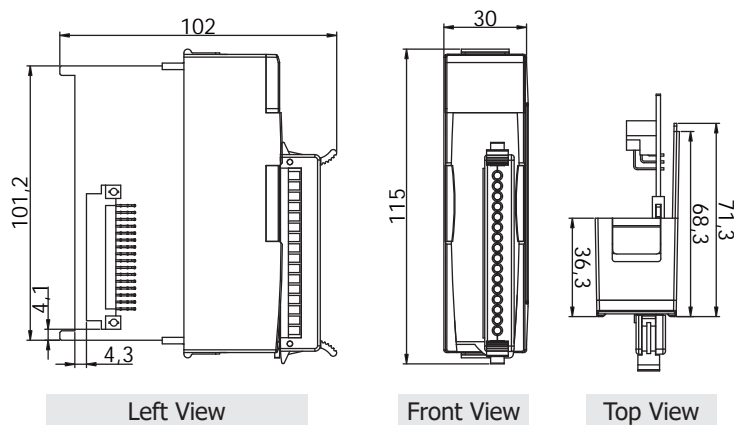


Terminal No.	Pin Assignment
01	DI0A
02	DI0B
03	DI1A
04	DI1B
05	DI2A
06	DI2B
07	DI3A
08	DI3B
09	DI4A
10	DI4B
11	DI5A
12	DI5B
13	DI6A
14	DI6B
15	DI7A
16	DI7B

Wire Connections

Input Type	ON State Readback as 1	OFF State Readback as 0
	Voltage > 80 VAC	Voltage < 30 VAC
Relay Contact	<p>AC Relay Close</p>	<p>AC Relay Close</p>

Dimensions (Units: mm)



Ordering Information

I-8058W-G CR	8-Channel 80 ~ 250 VAC Isolated Digital Input Module (RoHS)
---------------------	---